
FnIO G-Series

GT-2784

GT-2784/4 Points, Relay Output Terminal, 110Vdc/ac, 1A)

Specification

Table of Contents

Table of Contents.....	2
History.....	3
1.Environment Specification.....	4
2.GT-2784(4 Points, Relay Output Terminal,24Vdc/ac, 2A).....	5
2.1.GT-2784Specification.....	5
2.2.GT-2784Wiring Diagram.....	6
2.3.GT-2784LED Indicator.....	7
2.3.1.LED Indicator.....	7
2.3.2.Channel Status LED.....	7
2.4.Mapping Data into the Image Table.....	8
2.5.Parameter Data.....	8

Specification

History

REV.	PAGES	REMARKS	DATE	Editor
Preliminary		Preliminary	Nov 11, 2016	Jun, Seokhyun
1.01		Specification	Jan 09, 2017	Kim, Hongseok

Specification

1. Environment Specification

Environment specification	
Operating Temperature	-40°C~60°C
UL Temperature	-20°C~60°C
Storage Temperature	-40°C~85°C
Relative Humidity	5% ~ 90% non-condensing
Mounting	DIN rail
General specification	
Shock Operating	IEC 60068-2-27
Vibration Resistance	Based on IEC 60068-2-6 Sine Vibration <ul style="list-style-type: none"> - 5 ~ 25Hz : ±1.6mm - 25 ~ 300Hz : 4g - Sweep Rate : 1 Oct/min, 20 cycles Random Vibration <ul style="list-style-type: none"> - 10 ~ 40 Hz : 0.0125 g²/Hz - 40 ~ 100 Hz : 0.0125 → 0.002 g²/Hz - 100 ~ 500 Hz : 0.002 g²/Hz - 500 ~ 2000 Hz : 0.002 → 1.3 x 10⁻⁴g²/Hz - Test time : lhrs for each test
Industrial Emissions	EN61000-6-4/All : 2011
Industrial Immunity	EN 61000-6-2 : 2005
Installation Position	Vertical and horizontal installation is available.
Product Certifications	CE, UL

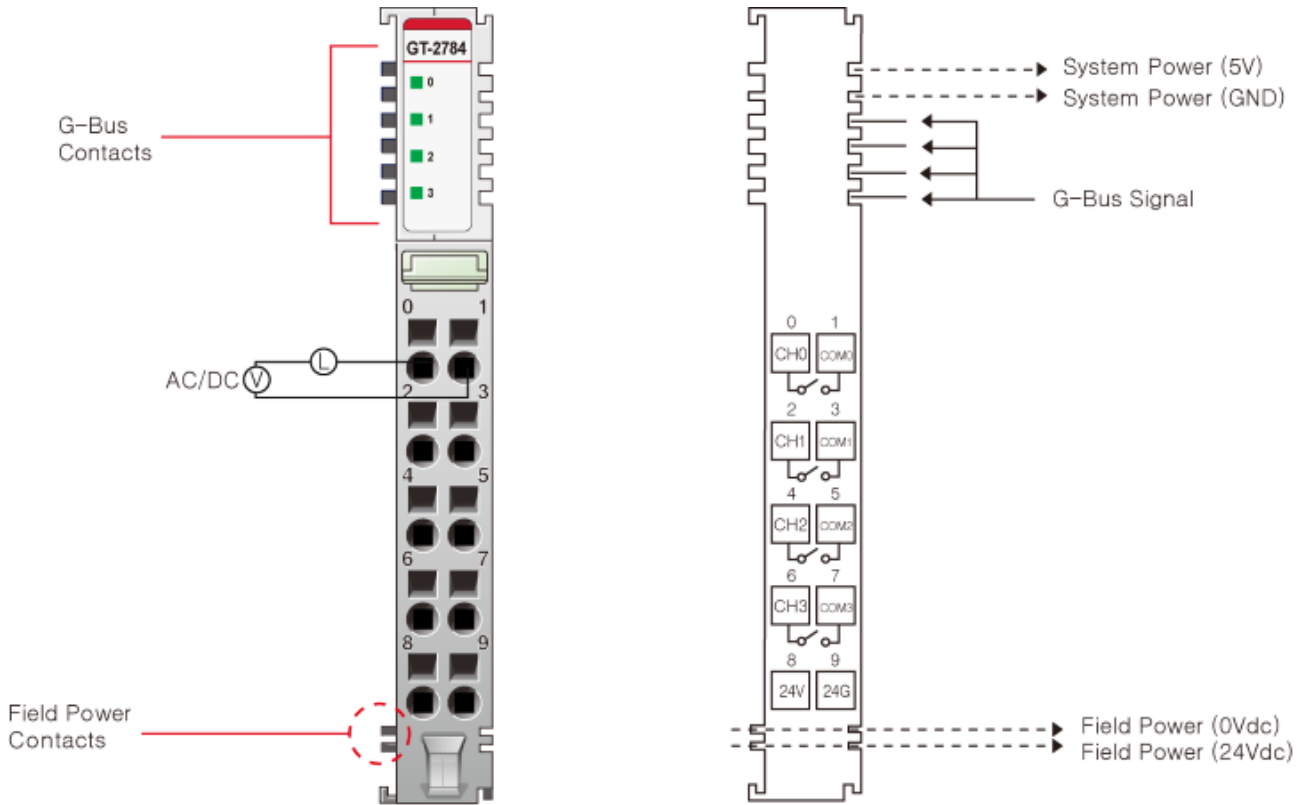
Specification

2. GT-2784 (4 Points, Relay Output Terminal, 110Vdc/ac, 1A)

2.1. GT-2784 Specification

Output specification	
Output per module	4 Points, Bi-directional
Indicators (Logic side)	4 Green output state
Relay Type	MOS Relay (Solid State Relay)
Output Voltage Range (Load Dependent)	Max. 110Vac @ 1A resistive Max. 110Vdc @ 1A resistive Max. AC/DC : 110V
Output Delay Time (resistive load)	OFF to ON : Max. 1 ms @ 110Vdc ON to OFF : Max. 3 ms @ 110Vdc OFF to ON : Max. 1.5 ms @ 110Vac ON to OFF : Max. 3 ms @ 110Vac
Output Current Rating	Max. 1A per channel 60°C : 0.8A per channel 50°C : 1A per channel
Frequency range (Vac)	47 ~ 63Hz
Common Type	4Points / 4COM (Single Common)
General Specification	
Power dissipation	80mA @ 5.0Vdc
Isolation	I/O to Logic : Isolation Field Power : Non-isolation
Field Power(By Pass)	Field Power passes through to the next module. Supply voltage : 24Vdc Voltage range : 15V ~ 32Vdc (AC Power Not used)
Wiring	I/O Cable Max. 2.0mm ² (AWG 14)
Weight	58g
Module Size	12mm x 99mm x 70mm
Environment Condition	Refer to 'Environment Specification'

2.2. GT-2784 Wiring Diagram

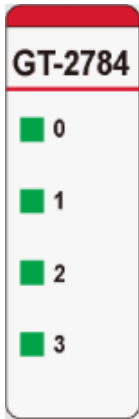


Pin No.	Signal Description	Signal Description	Pin No.
0	Output Channel 0	COM 0	1
2	Output Channel 1	COM 1	3
4	Output Channel 2	COM 2	5
6	Output Channel 3	COM 3	7
8	Field Power 24V	Field Power 0V	9

Specification

2.3. GT-2784 LED Indicator

2.3.1. LED Indicator



LED No.	LED Function / Description	LED Color
0	OUTPUT Channel 0	Green
1	OUTPUT Channel 1	Green
2	OUTPUT Channel 2	Green
3	OUTPUT Channel 3	Green

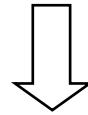
2.3.2. Channel Status LED

Status	LED	To indicate
Off Signal	Off	No Output Signal
On Signal	Green	Normal Operation

2.4. Mapping Data into the Image Table

- Output Image Value

Bit No	Bit7	Bit6	Bit5	Bit4	Bit3	Bit2	Bit1	Bit0
Byte0	Reserved				D3	D2	D1	D0



- Output Module Data

D3	D2	D1	D0
----	----	----	----

2.5. Parameter Data

- Valid Parameter length : 2Byte
- Parameter Data

Offset	Decimal Bit	Description	Default Value
0	00-03	Fault Action(0~3) 0 : Fault Value, 1 : Hold last state	0 (Fault Value)
1	00-03	Fault Value (0~3) 0 : off, 1 : on	0 (off)